

# 1 1/16" BORE STAINLESS STEEL CYLINDER



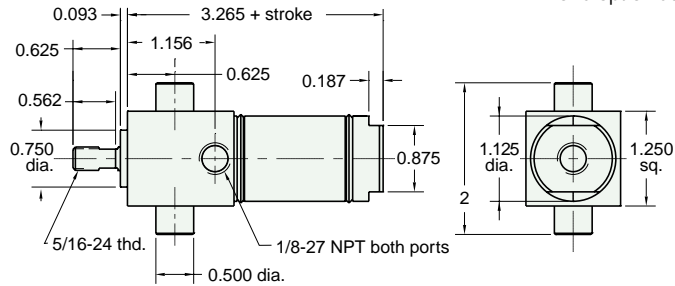
## TDR-17-□-□

Double Acting

**Mount:** Trunnion    **Standard Stroke Lengths:** 1/2", 1", 1-1/2", 2", 3", 4", 5", 6"  
**Type:** Rotating Rod  
**Options:** MB, B, W, V, S, N

For magnetic bumpers add .312

For S option add .250

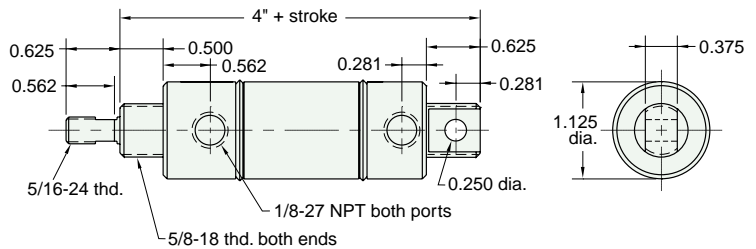


## UDR-17-□-□

Double Acting

**Mount:** Universal    **Standard Stroke Lengths:** 1/2", 1", 1-1/2", 2", 3", 4", 5", 6", 8", 10", 12"  
**Type:** Rotating Rod  
**Options:** C, F, R, MB, B, W, V, P2, P3, P4, P5, P6, P7, P8, N

For magnetic bumpers add .312



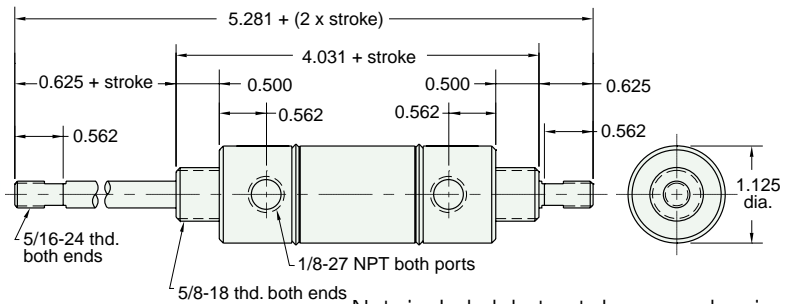
Furnished without nut(s). See Chart on Page 34.

## SDD-17-□-□

Double Acting

**Mount:** Stud    **Standard Stroke Lengths:** 1", 2", 3", 4", 5", 6"  
**Type:** Double Rod  
**Options:** C, F, R, MB, B, W, V, P6, P7, P8, N

For magnetic bumpers add .312



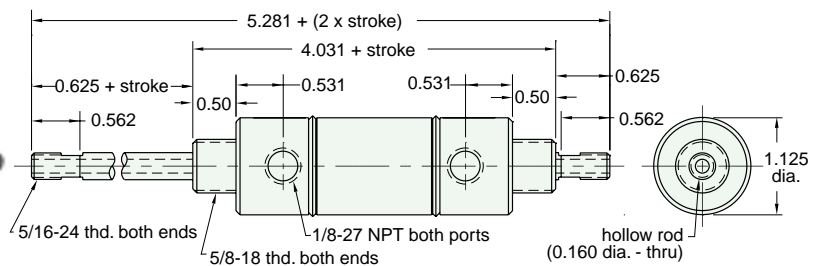
Nuts included, but not shown on drawing

## SDH-17-□-□

Double Acting

**Mount:** Stud    **Standard Stroke Lengths:** 1", 2", 3", 4", 5", 6"  
**Type:** Hollow Rod  
**Options:** C, F, MB, B, W, V, P6, P7, P8, N

For magnetic bumpers add .312



Nuts included, but not shown on drawing